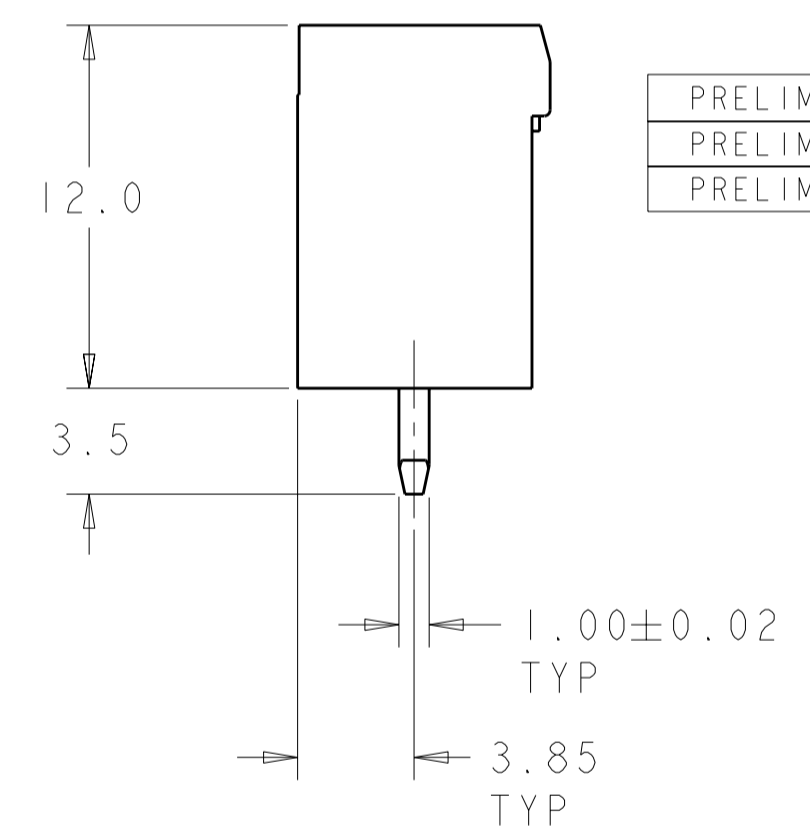
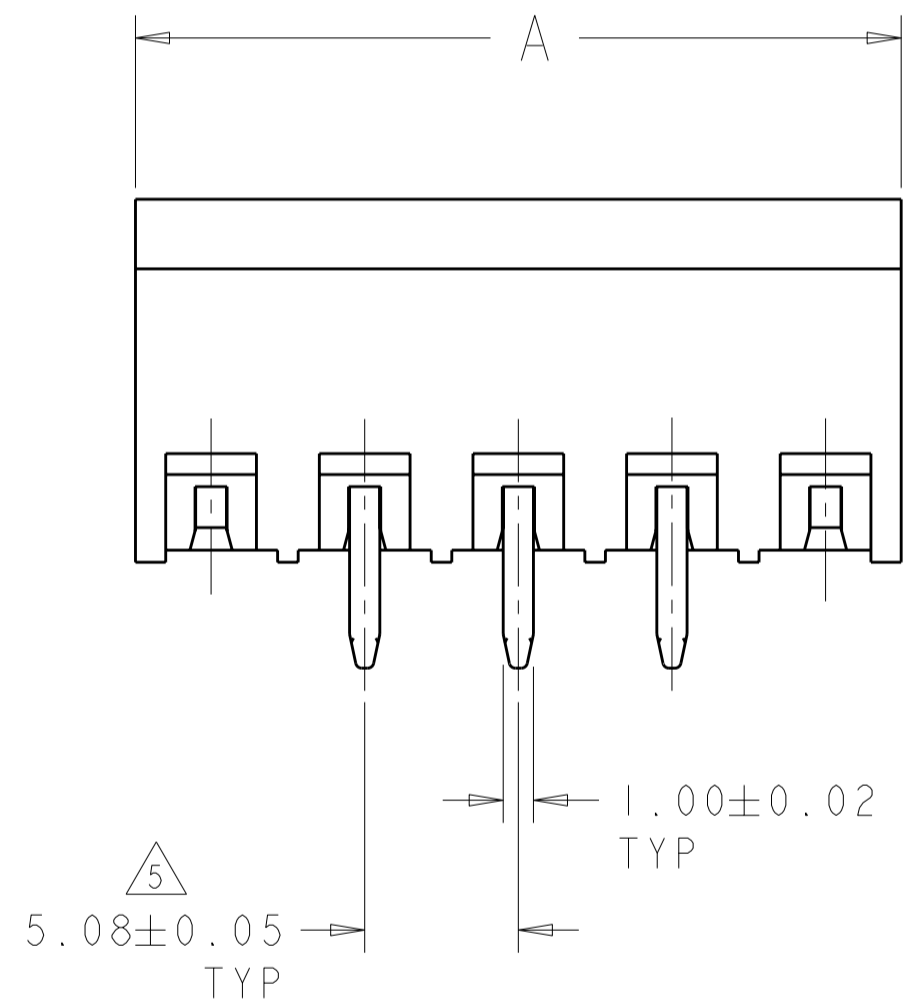
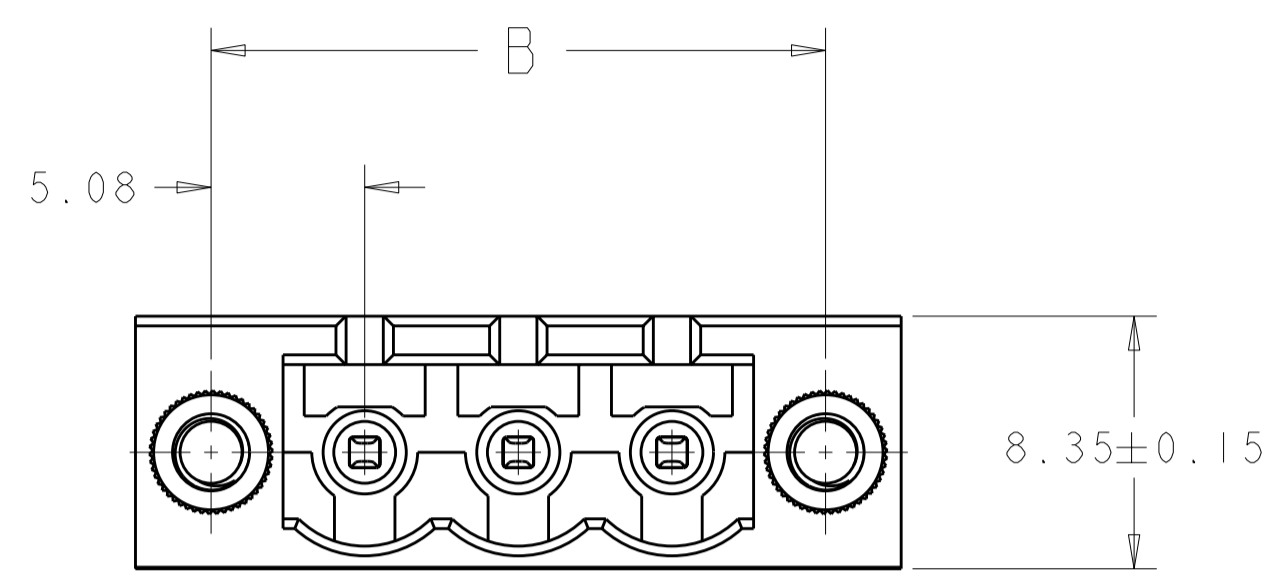


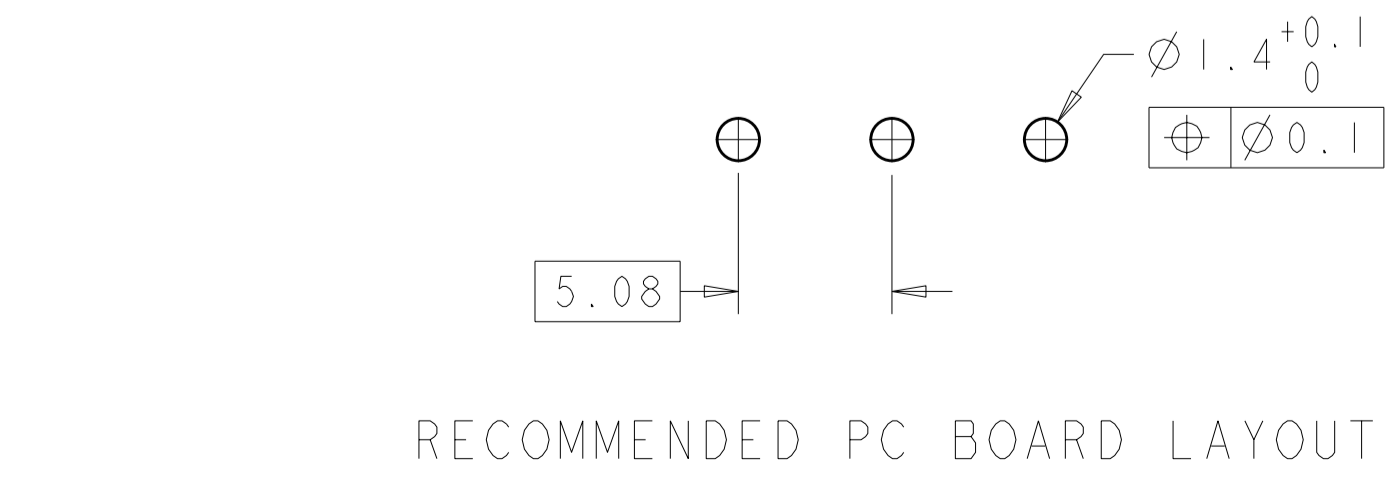
THIS DRAWING IS UNPUBLISHED. RELEASED FOR PUBLICATION 20  
 © COPYRIGHT 20 BY TYCO ELECTRONICS CORPORATION. ALL RIGHTS RESERVED.

LOC		DIST		REVISIONS			
P	LTR	DESCRIPTION	DATE	DWN	APVD		
	B3	REVISED PER ECO-09-017668	30JUL2009	HMR	CR		



- 1. MATERIALS AND FINISH:  
 HOUSING: PA 6-6, UL 94V-0, COLOR: SEE TABLE.  
 TERMINAL: PHOSPHOR BRONZE, PLATING: SEE TABLE, OVER 2-3µm NICKEL
- 2. SUITABLE FOR 1.6 - 2, 4mm PC BOARD THICKNESS.
- 3. RECOGNIZED UNDER THE COMPONENT PROGRAM OF UNDERWRITERS LABORATORIES INC. FILE No. E60677.
- 4. IMQ CERTIFICATE WITH SURVEILLANCE ON CONFORMITY WITH IEC 998-1/998-2-1.
- 5. NOT CUMULATIVE TOLERANCE.
- 6. BUCHANAN LOGO TO APPEAR ON HOUSING, LOCATION OPTIONAL WHERE SPACE PERMITS.

PRELIMINARY	COLOR	TERMINAL PLATING	B	A	NO OF POSN	PART NUMBER
PRELIMINARY	GREEN	0.76µm GOLD	55.88	60.88	10	2-796867-6
PRELIMINARY	GRAY RAL7032	0.76µm GOLD	30.48	35.48	5	2-796867-5
PRELIMINARY		0.2µm GOLD	30.48	35.48	5	2-796867-4
		TIN	121.92	126.92	23	2-796867-3
		TIN	116.84	121.84	22	2-796867-2
		TIN	111.76	116.76	21	2-796867-1
		TIN	106.68	111.68	20	2-796867-0
		TIN	101.60	106.60	19	1-796867-9
		TIN	96.52	101.52	18	1-796867-8
		TIN	91.44	96.44	17	1-796867-7
		TIN	86.36	91.36	16	1-796867-6
		TIN	81.28	86.28	15	1-796867-5
		TIN	76.20	81.20	14	1-796867-4
		TIN	71.12	76.12	13	1-796867-3
		TIN	66.04	71.04	12	1-796867-2
		TIN	60.96	65.96	11	1-796867-1
		TIN	55.88	60.88	10	1-796867-0
		TIN	50.80	55.80	9	796867-9
		TIN	45.72	50.72	8	796867-8
		TIN	40.64	45.64	7	796867-7
		TIN	35.56	40.56	6	796867-6
		TIN	30.48	35.48	5	796867-5
		TIN	25.40	30.40	4	796867-4
		TIN	20.32	25.32	3	796867-3
		TIN	15.24	20.24	2	796867-2



THIS DRAWING IS A CONTROLLED DOCUMENT FOR TYCO ELECTRONICS CORPORATION. IT IS SUBJECT TO CHANGE AND THE CONTROLLING ENGINEERING ORGANIZATION SHOULD BE CONTACTED FOR THE LATEST REVISION.		DWN S. WELDON 10JUN2002 CHK D. BIEVENOUR 10JUN2002 APVD D. BIEVENOUR 10JUN2002	Tyco Electronics Harrisburg, PA 17105-3608
DIMENSIONS: mm	TOLERANCES UNLESS OTHERWISE SPECIFIED: 0 PLC ± 1 PLC ±0.3 2 PLC ±0.25 3 PLC ±0.000 4 PLC ±0.000 ANGLES ± FINISH	PRODUCT SPEC APPLICATION SPEC WEIGHT	NAME TERMINAL BLOCK HEADER ASSEMBLY, VERTICAL, WITH LOCKING SCREW FLANGE, 5.08mm PITCH SIZE A2 CAGE CODE 00779 DRAWING NO. 796867 RESTRICTED TO
MATERIAL		CUSTOMER DRAWING	SCALE 4:1 SHEET 1 OF 1 REV B3